

OTO 76/62 SR

SUPER RAPID GUN MOUNT



The OTO 76/62 Super Rapid (SR) Gun Mount is a light weight, rapid-fire naval gun providing unrivalled performance and flexibility in any air defence and antisurface role, particularly in anti-missile role.

Capability for very effective engagement of shore based targets is also provided for unique multi-role performance. The OTO 76/62 SR is suitable for installation on ships of any type and class, including small naval units.

Interface to a large variety of ship's Combat Management System and/or FCS/EOS is provided, according to digital as well as analogical standard, including open architecture. The Firing rate can be selected from single shot to 120 rds/min. In operational conditions the tactical time is less than 3 seconds and the standard deviation at firing is less than 0.3 mrad, thus providing excellent accuracy.

The OTO 76/62 SR (together with the OTO 76/62 Compact) is the only medium calibre naval gun available in the capable of sustained fire, which is a fundamental requirement in any scenario involving the simultaneous engagement of multiple manoeuvring targets, as requested by the emerging asymmetric warfare scenarios.

Automatic loading is provided through a revolving magazine and rapid reloading is easily undertaken even during firing action by two ammunition handlers.

Standard supply includes the new Digital Control Console (DCC) capitalizing the digital technology to increase the functions available to the operator and to the maintainers.

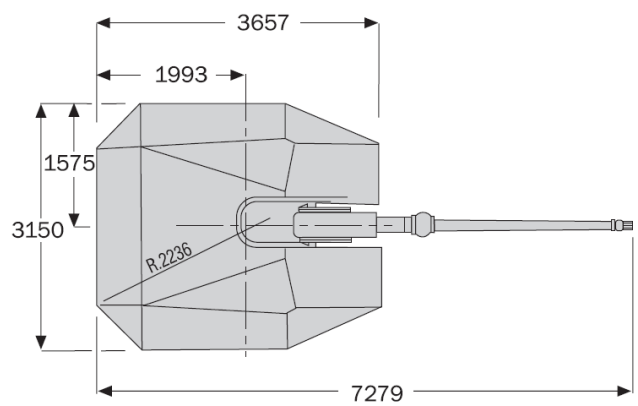
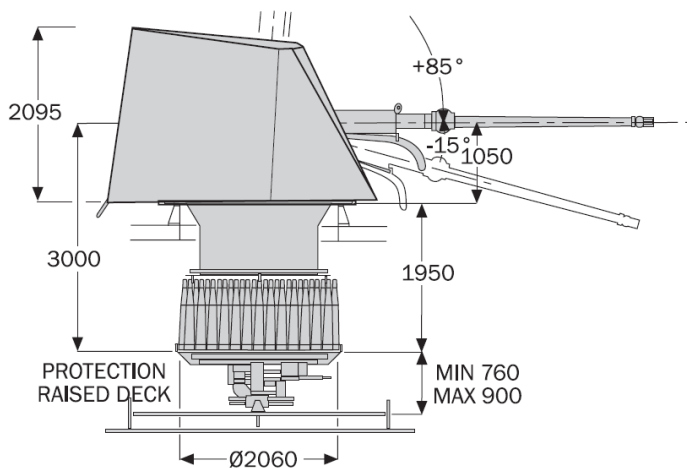
The OTO 76/62 SR is ready for operating the Leonardo Defence Systems OTO 3AP Multifunction Programmable Fuse.

The in service and new 76/62 SR, have the necessary flexibility for being fitted with optional:

- Integral Stealth Shield to reduce the total RCS of the ship
- Muzzle Velocity Radar to update the FCS of eventual deviations from range table values
- Multi Feeding Device for the automatic handling, selection and feeding of any type of ammunition loaded
- OTO STRALES system - a guidance system for the OTO DART guided projectile

The Gun Mount capabilities included of a New Main Distribution Box/Control Console, which provides:

- Basic functions
 - Gun Control algorithms/obstacle contouring
 - BITE on line
 - FCS Interfaces (digital, analogical,
 - CORBA protocol etc.)
 - Control Panel Interfaces/Man Machine Interface
- Expanded functions
 - Maintenance
 - Troubleshooting
 - Documentation on line (Manuals on line and PMS)
 - Log Book (for management support)
 - Guideline
 - Black Box



TECHNICAL SPECIFICATIONS

Rate of fire:	120 rds/min
Dry Weight (without ammunition):	7900kg
Training arc (with slip ring):	Unlimited
Elevation arc:	-15° to +85°
Training speed/acceleration max:	60°/sec (72°/sec ²)
Elevation speed/acceleration:	35°/sec (72°/sec ²)
Ready-to-fire-rounds:	80 (on gun mount)
Range (max):	16000m standard ammo, 20000m with extended range OTO SAPOMER Ammunition, 40000m with guided long range (GLR), OTO Vulcano 76 ammo (in development)
Cooling system:	Sea water -fresh water for flushing
Electrical power supply:	440V, 3-phase, 60Hz, main circuit, 115V, 1-phase, 400Hz, servo and synchro network

For more information:
 infomarketing@leonardo.com
Electronics Division
 Via Tiburtina, Km 12.400 - 00131 Rome - Italy
 T +39 06 41501
 F +39 06 4131133

This publication is issued to provide outline information only and is supplied without liability for errors or omissions. No part of it may be reproduced or used unless authorised in writing. We reserve the right to modify or revise all or part of this document without notice.

2022 © Leonardo S.p.A.

MM08727 06-22



leonardo.com

