

The LIONFISH® 20 is a remotely-controlled small caliber naval gun system characterized by long operative range and high rate of fire.

Thanks to its compact dimensions and light weight, LIONFISH® 20 allows providing very small surface vessels with the capability of neutralizing asymmetric surface threats, helicopters and drones, besides to be usable onboard larger vessels as secondary armament.

The LIONFISH® 20 is fitted with the OERLIKON CANNON® 20 mm KAE gun, feed by a 250 ready to fire rounds magazine.

It can fire all types of 20 x 128 mm ammunitions, prescribed by the cannon's manufacturer, such as: SAPPIE-T, TP-T, AP-T, HEI-T.

The aiming system is fully stabilized in elevation and azimuth by means of powerful servo-systems in closed loop with both two independent gyros and two tachometers for redundancy.

All the components are fully protected by a stealth shield to minimize the RCS and allow the operation in the most severe environments.

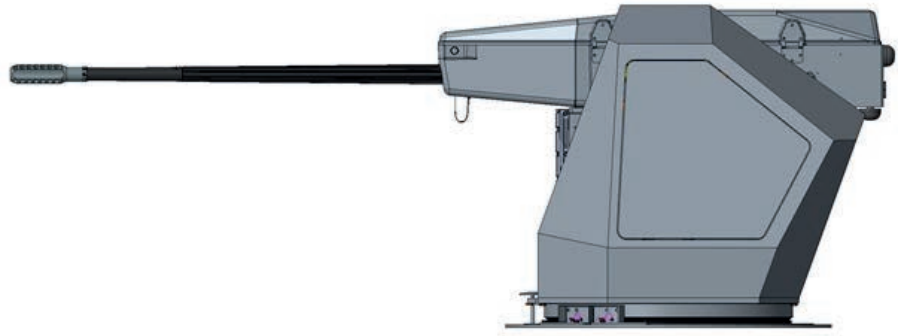
The LIONFISH® 20 is remotely controlled through its own Local Control Console and it is able to autonomously determine the stabilized firing coordinates by performing ballistic and target trajectory calculations. The Electro-Optical Director is constituted of a highly accurate sensors suite (with an automatic tracking

functionality) constituted of a daylight camera, an IR camera and a LASER Range Finder.

The LIONFISH® 20 could be also fully controlled by the external Firing Control System by activating a proper switch of the Remote Control Console, in such a case target acquisition, target engagement and firing are performed by the FCS itself.

KEY FEATURES

- › Effective against any asymmetric surface threats, helicopters and drones;
- › high rate of fire;
- › fully stabilized on two independent axes providing great accuracy;
- › compact dimensions and light weight;
- › high reliability and ease of maintenance;
- › Stealth design;
- › innovative and user-friendly Local Control Console;
- › logistic communality inside LIONFISH® family;
- › no deck penetration



TECHNICAL DESCRIPTION

- > Caliber 20 x 128 NATO
- > Rate of fire Controlled mode: 100 to 300 RPM
- > Burst mode: Up to 1000 RPM
- > Ready to fire rounds Up to 250
- > Effective range > 2000m
- > Training range -155° to 155°
- > Elevation range -30°÷70°
- > Training and elevation speed 57°/s (115°/s²) (acceleration)
- > Mass without ammunition 450 Kg
- > Day Camera (1) 9.5 / 4.8 / 2.7 Km
D / R / I
- > IR Camera (1) (2) 12 / 6 / 3.3 Km
D / R / I
- > LRF (1) 5.5 Km



Local Control Panel

(1): Typical performances achieved with respect to a NATO standard target.

(2): Valid for cooled sensor, uncooled one is available too.

For more information:
infomarketing@leonardocompany.com



leonardocompany.com

Electronics Division
 Via Valdilocchi 15
 19136 La Spezia - Italy
 T +39 0187 5811
 F +39 0586 854060

This publication is issued to provide outline information only and is supplied without liability for errors or omissions. No part of it may be reproduced or used unless authorised in writing. We reserve the right to modify or revise all or part of this document without notice.

2020 © Leonardo Sp.A.

DS MM08728 6-20

