

LIONFISH® 12.7 INNER RELOADING

ELECTRONICS DIVISION



The LIONFISH® 12.7 Inner Reloading is a remotely-controlled small caliber naval gun system, providing the operator with the capability of reloading the ammunitions from below deck in safe conditions.

The LIONFISH® 12.7 Inner Reloading is efficiently used onboard small surface vessel, thanks to its light weight and compact dimensions, for border control, maritime traffic interdiction and self-protection. The capability to be reloaded by a safe protection makes this turret fit for an installation on the roof of small boat as well as on top of land vehicle. With aim to allow an easy change of platform, the LIONFISH® 12.7 Inner Reloading allows storing the installation data, included no-firing and no-pointing zones (settable via software), automatically retrieved at the start-up.

The LIONFISH® 12.7 Inner Reloading is fitted with a 12.7 mm machine gun feed by a 100 ready to fire rounds magazine, compatible with a wide variety of 12.7 x 99 NATO standard ammunitions such as: AP, API, APT, APIT, M33 ball.

The reloading of the magazine can be carried out, in safe conditions, from below deck, in fact a proper lamp starts blinking as soon as the last round has been picked up from the Ammunitions Box thus allowing the operator to link a new Ammunitions Belt to the one still present in the gun.

The aiming system is fully stabilized in elevation and azimuth by means of powerful servo-systems in closed loop with both two independent gyros and two tachometers for redundancy.

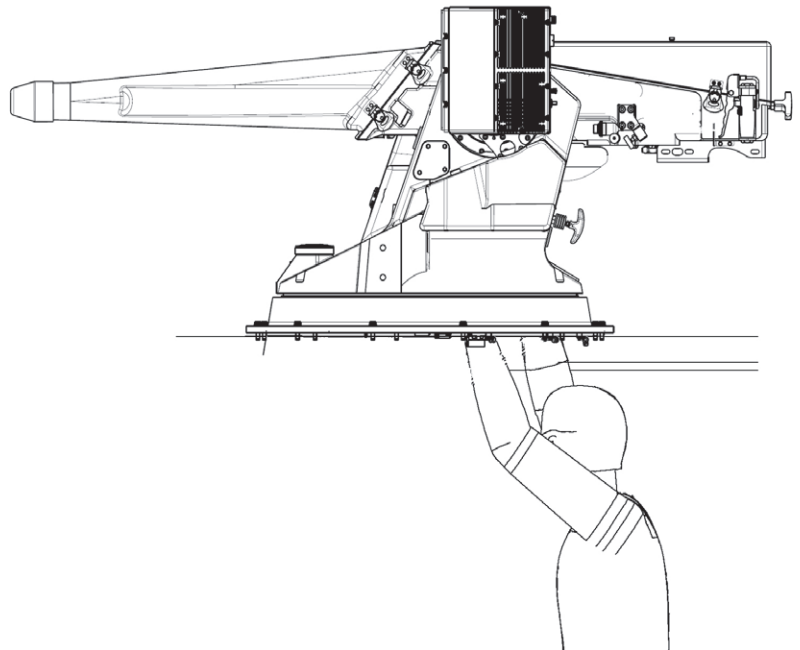
The LIONFISH® 12.7 Inner Reloading is remotely controlled through its own Local Remote Control Console and it is able to autonomously determine the stabilized firing coordinates by performing ballistic and target trajectory calculations.

The Electro-Optical Director is constituted of an accurate sensors suite (with an automatic tracking functionality) constituted of a daylight camera, an IR camera and a LASER Range Finder.

In emergency conditions, proper handles, located in the rear part of the cradle, allow to manually move the turret and fire.

KEY FEATURES

- › effective against any asymmetric surface threats, helicopters and drones;
- › light weight and compact dimensions;
- › fully stabilized on two independent axes providing great accuracy;
- › high dynamic performances;
- › capability of reloading from below deck in safe conditions;
- › stealth design;
- › high reliability and ease of maintenance;
- › innovative and user-friendly Local Control Console;
- › no deck penetration;
- › logistic communality inside LIONFISH® family;
- › emergency manual controls.



TECHNICAL DESCRIPTION

- › Caliber 12.7 x 99 NATO
- › Rate of fire ⁽¹⁾ single shot, 300 RPM, 485 to 635 RPM
- › Ready to fire rounds 100
- › Effective range 1500 m
- › Training range -155° to 155°
- › Elevation range -15°÷50°
- › Training and elevation speed (acceleration) 60°/s (150°/s²)
- › Mass without ammunition < 215 Kg
- › Day Camera ⁽²⁾ 9.5 / 4.8 / 2.7 Km
D / R / I
- › IR Camera ⁽²⁾ ⁽³⁾ 12 / 6 / 3.3 Km
D / R / I
- › LRF ⁽²⁾ 5.5 Km

⁽¹⁾: Depending on the used machine gun.

⁽²⁾: Typical performances achieved with respect to a NATO standard target.

⁽³⁾: Valid for cooled sensor, uncooled one is available too.



Local Control Panel

For more information:
infomarketing@leonardocompany.com



leonardocompany.com

Electronics Division
 Via Valdicocchi 15
 19136 La Spezia - Italy
 T +39 0187 5811
 F +39 0586 854060

This publication is issued to provide outline information only and is supplied without liability for errors or omissions. No part of it may be reproduced or used unless authorised in writing. We reserve the right to modify or revise all or part of this document without notice.

2020 © Leonardo Sp.A.

DS MM08728 6-20

